



DC DISTRIBUTION PANEL



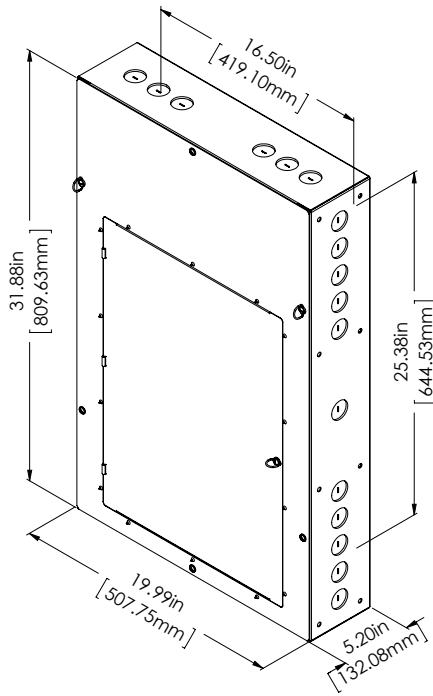
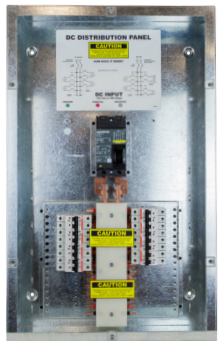
- 16 GA Steel Powder-Coated Construction
- Circuit Breakers Rated for 10 kAIC at 125 Vdc
- 1 Main Circuit Breaker and Up to 15 DC Distribution Circuit Breakers
- NRTL listed to CSA /UL standards
- Custom Configurations Available

THE DC DISTRIBUTION PANEL FROM HBL

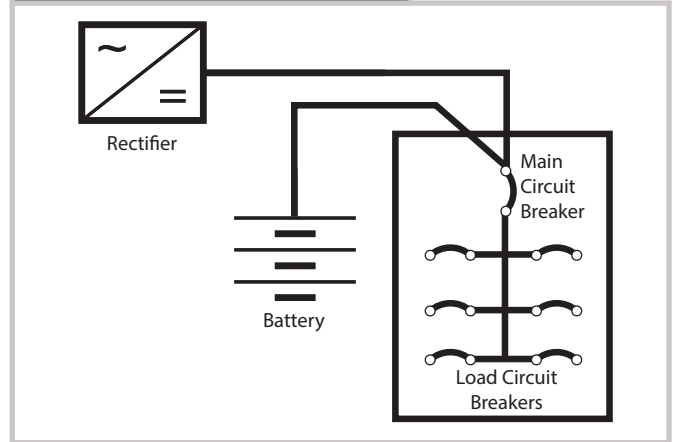
THE SMART WAY TO CONSOLIDATE YOUR DC LOADS

PRODUCT INFORMATION:

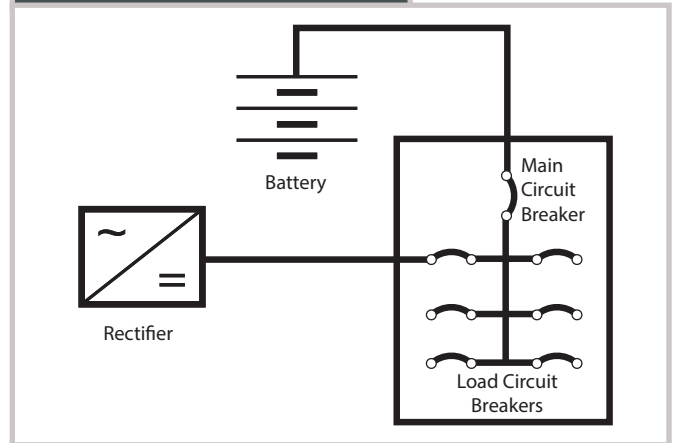
- Circuit breakers rated for 10 kAIC at 125 Vdc. High interrupting capacity breakers are available for special requirements.
- The enclosure is a NEMA-1 / IP20 type enclosure, constructed with 16 GA steel, with ANSI-61 gray epoxy powdercoat paint.
- Standard configuration is one (1) main circuit breaker (100A or 200A trip rating), and up to fifteen (15) distribution circuit breakers (2A to 63A max). Other configurations available.



CONFIGURATION A



CONFIGURATION B



MODEL NUMBERS:

EJ5140-10 (100A Main)
EJ5140-20 (200A Main)

* When ordering the DC Distribution Panel, please select configuration (A or B), the size of your main circuit breaker, and number / trip rating of branch circuit breakers.

FOR MORE INFORMATION:

Call HBL to speak with our professional and knowledgeable team.

Our staff is available Monday-Friday from 8:30am-4:30pm EST for phone assistance or online chat.



ETL NRTL/C - CSA C22.2/UL 508A compliant

All specifications subject to change.

712 Brook St # 107, Rocky Hill, CT 06067 | (860) 257-9800 | <http://www.hblbatteries.com/>